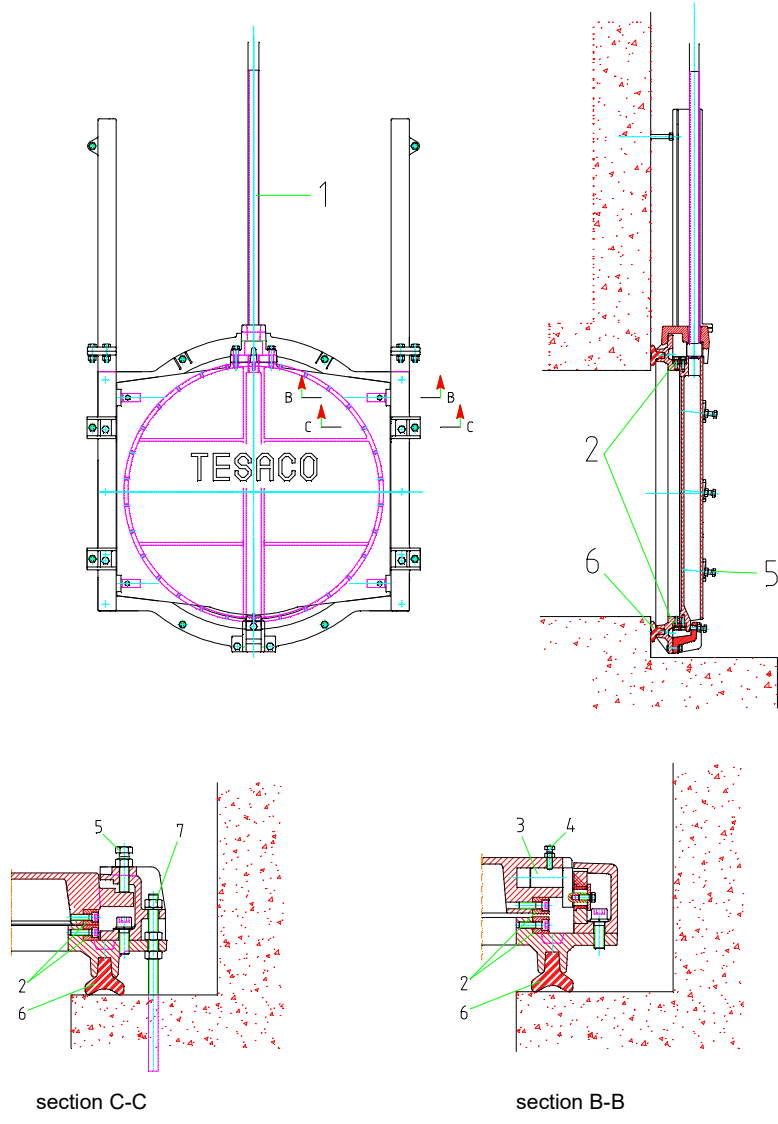


for penstocks B10-series



**KEY**

- 1 Spindle / spindle nut (need to be replaced as a set)
- 2 Block sealing made of bronze \*
- 3 Door roller with roller shaft
- 4 Roller adjusting bolt
- 5 Wedge adjusting bolt
- 6 Wall sealing
- 7 Anchor bolts

\* Replacement of the block sealings need to be done in our factory



The TESACO products are designed for long lifetime with high reliability, on the condition of a regular operation and maintenance acc. to the TESACO's instructions.

That's why it is not necessary to keep spares available at site. Should the replacement of a part become necessary, please state the TESACO project number and/or drawing number with your enquiry.

Subject to change without prior notice