

Headstock with handwheel - for concrete ceiling -

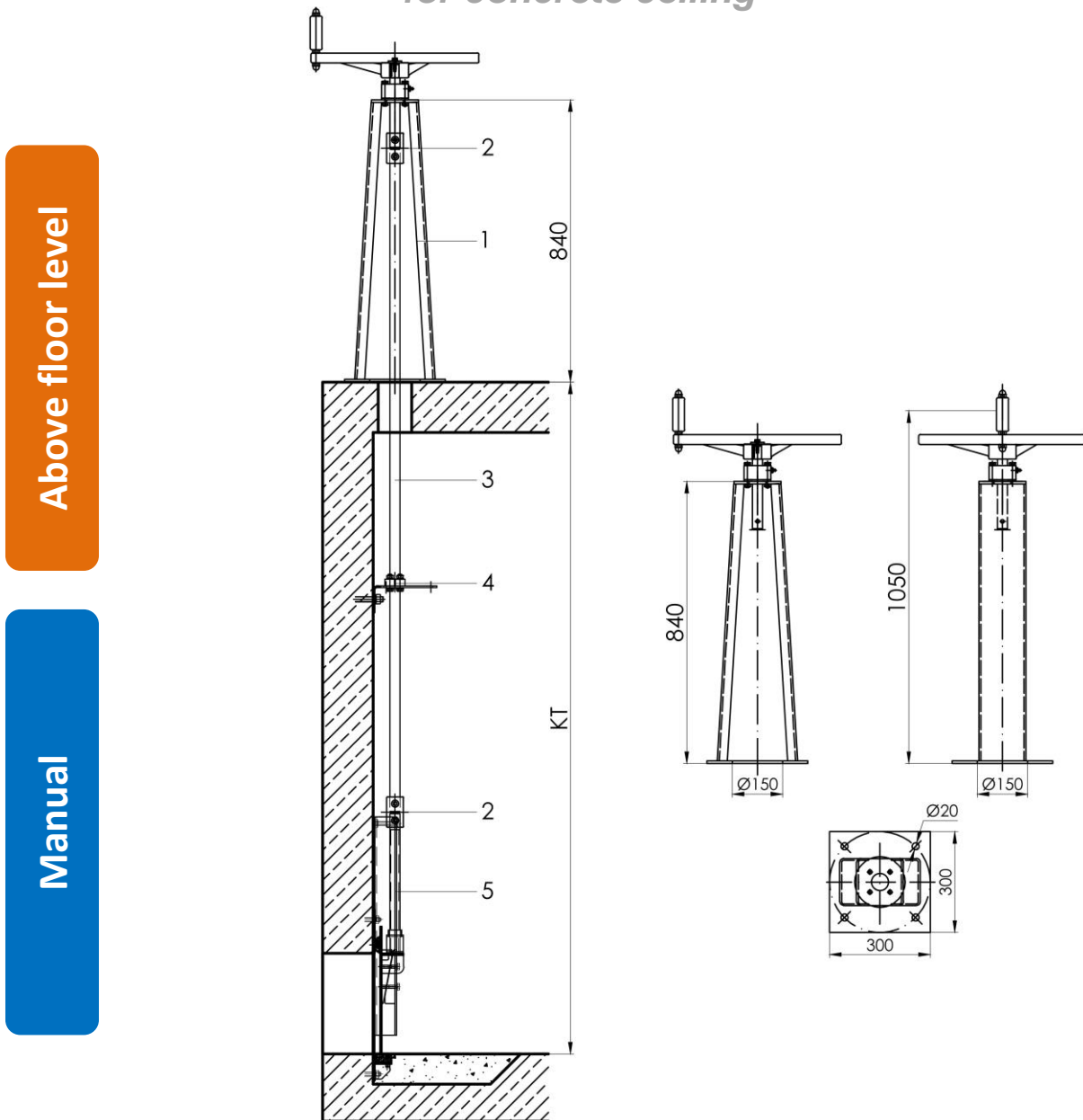


Figure with Penstock C20-Series

KEY

- 1 Drive
- 2 Coupling
- 3 Spindle extension
- 4 Spindle guide (only if required)
- 5 Spindle
- 6 Penstock

- T Installation depth
- KT Channel depth

Material:

Headstock made from S.S. 316 / 304
 Driveshaft with square cap (21/25) made from S.S. 316
 Ball bearing acc. DIN 625
 Handwheel made from mild steel, coated / aluminium
 Fastening elements made from S.S. 316

Optional: with digital position indicator

Operating: manual