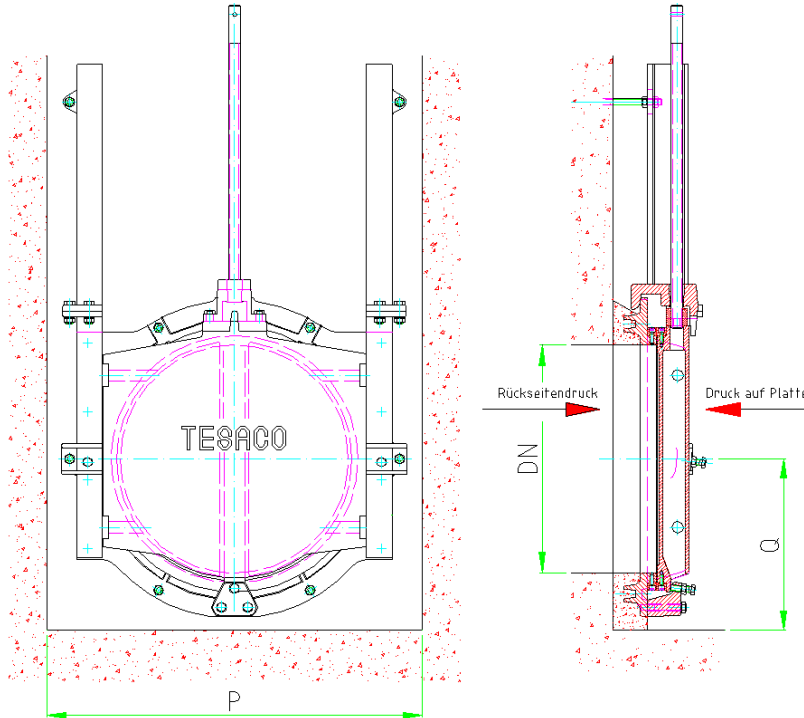


Dimension DN 400 to 700 - Grouted fixing



Dimension	P	Q	Weight [kg]
DN 400	750	350	135
DN 500	950	400	235
DN 600	1050	450	270
DN 700	1150	500	332

Installation dimensions see page: 9000-0051

All dimensions in mm

Design: TESACO, acc. to DIN 19569-4, BS 7775:2005, ANSI/AWWA C561-04, 4-face sealing

Material: Frame, door and lateral guides fabricated from DIN EN 1561 EN-GJL-250 (GG-25)
 Exchangeable block seal on frame and door made from corrosion resistant bronze
 Spindle nut made of corrosion resistant bronze
 Spindle made of stainless steel type 316
 Fastening elements made from S.S.316

Corrosion protection: Shot blasting acc. DIN ISO 55928, SA 2 1/2
 with 400 µm Polyurethane or Epoxy coating