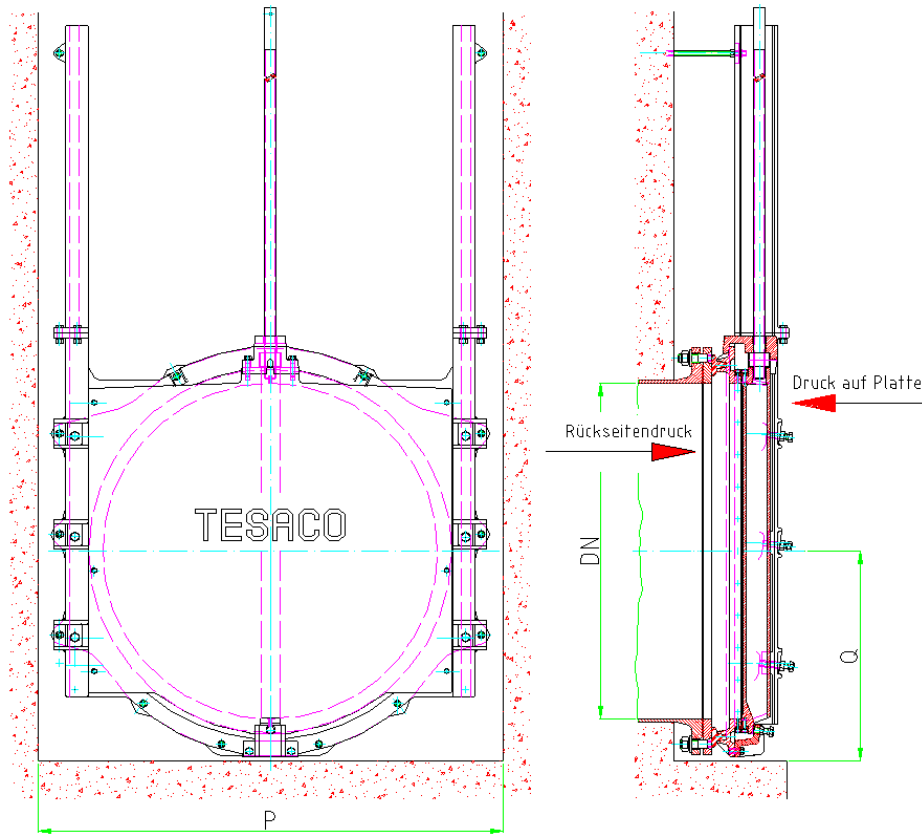


## Dimension DN 1100 to 1200 - Pipe flange fixing



Dimension	P	Q	Weight [ kg ]
DN 1100	1550	700	900
DN 1200	1650	750	980

Installation dimensions see page: 9000-0011

All dimensions in mm

Design: TESACO, acc. to DIN 19569-4, BS 7775:2005, ANSI/AWWA C561-04, 4-face sealing

Material: Frame, door and lateral guides fabricated from DIN EN 1561 EN-GJL-250 (GG-25)  
 Connection flange fabricated from DIN EN 1561 EN-GJL-250 (GG-25)  
 Exchangeable block seal on frame and door made from corrosion resistant bronze  
 Spindle nut made of corrosion resistant bronze  
 Spindle made of stainless steel type 316  
 Connection flange seal made of waste water resistant neoprene  
 Fastening elements made from S.S.316

Corrosion protection: Shot blasting acc. DIN ISO 55928, SA 2 1/2  
 with 400 µm Polyurethane or Epoxy coating