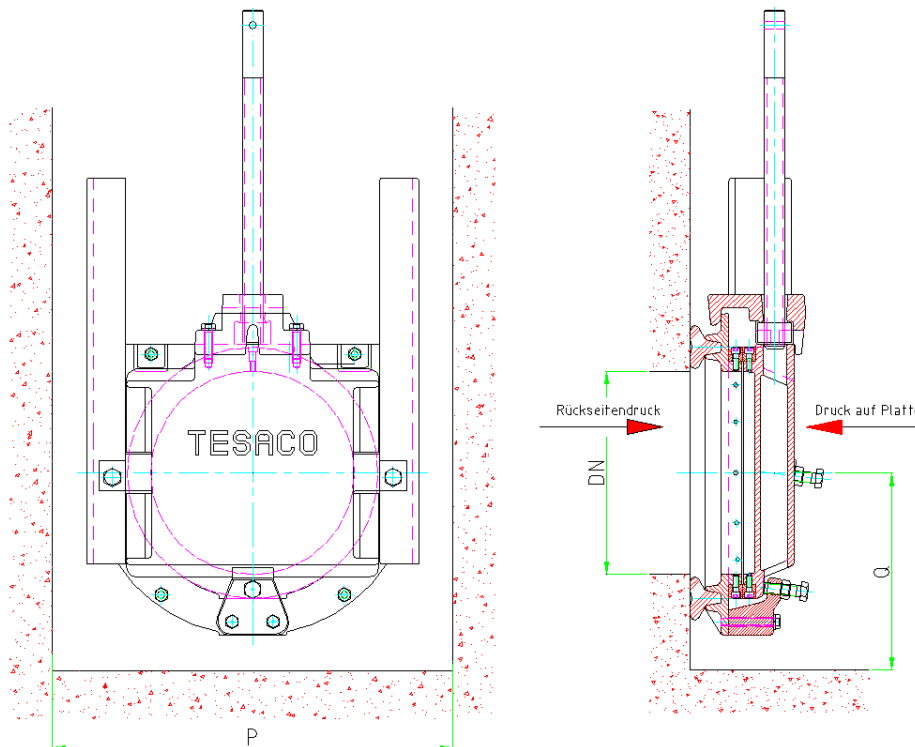


Dimension DN 150 to 350 - Wall fixing



Dimension	P	Q	Weight [kg]
DN 150	400	225	55
DN 200	450	250	65
DN 250	500	275	80
DN 300	550	300	95
DN 350	600	325	110

Installation dimensions see page: 9000-0001S and 9000-0001

All dimensions in mm

Design: TESACO, acc. to DIN 19569-4, BS 7775:2005, ANSI/AWWA C561-04, 4-face sealing

Material: Frame, door and lateral guides fabricated from DIN EN 1561 EN-GJL-250 (GG-25)
 Exchangeable block seal on frame and door made from corrosion resistant bronze
 Spindle nut made of corrosion resistant bronze
 Spindle made of stainless steel type 316
 Wall seal made of waste water resistant neoprene
 Fastening elements made from S.S.316

Corrosion protection: Shot blasting acc. DIN ISO 55928, SA 2 1/2
 with 400 µm Polyurethane or Epoxy coating